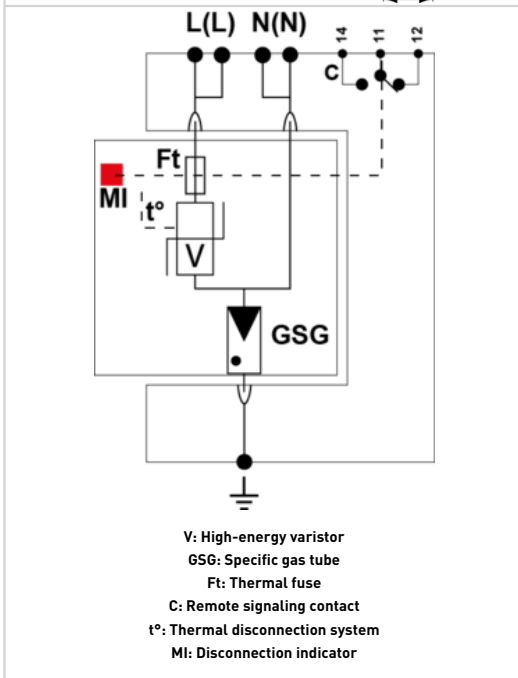
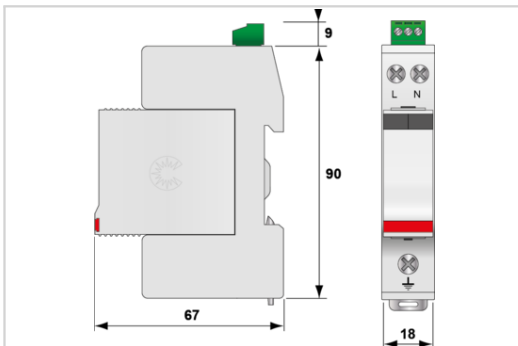


DS240S-280/G


- Compact single-phase Type 2 surge protector
- I_n : 20 kA
- I_{max} : 40 kA
- Common/Differential mode
- Pluggable module
- Remote signaling
- EN 61643-11, CEI 61643-11 compliance
- UL1449 ed.5



Caractéristiques Électriques		
SPD type (following IEC tests)		2
Network		230 V single-phase
AC system		TT-TN
Max. AC operating voltage L-N	U_c	280 Vac
Max. load current(if series connection)	I_L	20 A
Temporary Over Voltage (TOV) Characteristics - 5 sec. (Without disconnection)	UT	335 Vac withstand
Temporary Over Voltage (TOV) Characteristics - 120 mn (Without disconnection or with safety disconnection)	UT	440 Vac disconnection
Temporary Over Voltage N/PE (TOV HT) (Without disconnection or with safety disconnection)	UT	1200 V/300A/200 ms withstand
Residual Current(Leakage current to Ground)	I_{pe}	None
Follow current	I_f	None
Nominal discharge current (15 x 8/20 μ s impulses)	I_n	20 kA
Max. discharge current(max. withstand @ 8/20 μ s by pole)	I_{max}	40 kA
Total Maximal discharge current (max. total withstand @ 8/20 μ s)	I_{max} Total	40 kA
Protection mode(s)		Common/Differential mode
Residual voltage at 5 kA(@ 5 kA (8/20 μ s))	U_p -5kA	1.5/0.9 kV
Protection level CM/DM(@ In (8/20 μ s))	U_p mc/md	1.5/1.3 kV
Admissible short-circuit current	I_{sc}	10 000 A
Caractéristiques Mécaniques		
Technology		MOV
SPD configuration		Single phase
Connection to Network		by screw terminals: 1.5-10mm ² (L/N) or 2.5-25mm ² (PE)
Format		Plug-in modular box
Mounting		Symmetrical rail 35 mm (DIN 60715)
Housing material		Thermoplastic UL94-V0
Operating temperature	T_u	-40/+85°C
Protection rating		IP20
Failsafe mode		Disconnection
Disconnection indicator		1 mechanical indicator
Spare module(s)		DSM240-280/G
Remote signaling of disconnection		Output on changeover contact
Dimensions		See diagram
Weight		0.109 kg
Déconnecteurs associés		
Thermal disconnector		Internal
Installation ground fault breaker		Type 'S' or delayed
Fuses		Fuses type gG - 50 A
Normes		
Standards compliance		IEC 61643-11 / EN 61643-11 / UL1449 4ed.
Certification		UL / EAC / TÜV
Code article		
311131		

