

3S-MT-PT1000

Module Temperature Sensor



Module Temperature Sensor



The Module Temperature Sensor is part of the SEVEN meteorological sensor range, which includes professional and intelligent measuring sensors with a digital or analog interface for environmental and industrial applications such as PV plants.

It is a measuring transmitter used for the measurement of the PV panel temperature. PT1000 is laminated between EVA film and Tedlar Backsheet. So, the construction at the module temperature sensor is same as the PV modules and it has same heat transfer characteristic with back of module. It is attached to the back of module with 3 M[®] sticker which placed on the sensor. This specially chosen sticker provides a safe attachment of the PT1000 to the panel.

The measured panel temperature data are transmitted as analog or digital output signals to the data loggers and receiver units according to the input requirements.

The Module Temperature Sensor specially designed according to the requirements of (IEC 61724-1:2021 Annex B) PV plant monitoring systems.

Benefits and Features

- Small Sensing Area for Bifacial Modules
- High Accuracy
- Fast & Simple to Install
- Ultralight Design for Better Attachment
- 10% >then PV Cell Area
- SEVEN Remote Setup Service
- SEVEN Customer Support
- 2 Years Warranty

Models

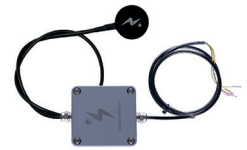
3S-MT-PT1000

It is a measuring transmitter with PT1000 output used for the measurement of the PV panel temperature. The measuring values are transmitted as ohmic resistance signals. It can be connected to SEVEN Irradiance Sensor or Sensor Box models with a 5-pin female connector with IP 67 protection class.



3S-MT-PT1000-I

Module temperature sensors with analog 4-20 mA output specially designed for advanced environmental conditions. The PV panel temperature is detected by a high precision PT1000 sensor and converted to analog 4-20 mA output with an electronic card placed in UV resistant and high protection box.



3S-MT-PT1000-MB

Professional and intelligent measuring sensors with a digital interface for environmental and industrial applications such as PV plants. The measured value can be transmitted to monitoring instruments, data loggers and other receiving units via the serial RS485 interface with MODBUS RTU protocol, up to 8 nos. PT1000 module temperature sensors can be connected to the transmitter box and provide temperature values with a single cable to receiver unit.



3S-MT-PT1000

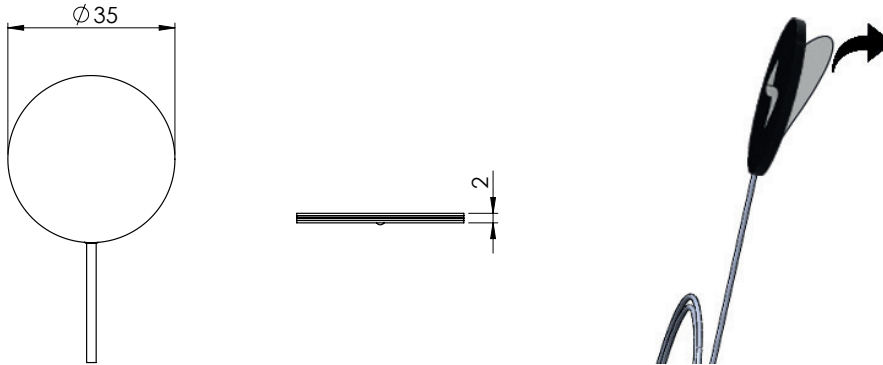
Module Temperature Sensor

Technical Specifications

	3S-MT-PT1000	3S-MT-PT1000-MB	3S-MT-PT1000-I
Sensor Type	PT1000		
Measuring Range	-40°C to +85°C		
Accuracy	±0.1°C		
Resolution	0.1°C		
Data Output	PT1000	RS485 up to 38400 Baud	Analog 4-20 mA
Communication Protocol	-	Modbus RTU	-
Power Supply	-	12 to 30 V DC	
Power Consumption	-	15 mA @ 24 V DC	30 mA @ 24 V DC
Electrical Connection	3 m LIYYC11Y PUR Cable, UV and Weather Resistant		
Operating Temperature Range	-40°C to +85°C		
Box Dimensions	-	64 x 68 x 35 mm (W x L x H)	
Sensor Cover Dimensions	Ø 35 x 3 mm		
Weight	77 gr	156 gr	
IP Rating	IP 67		
Box Material	-	ABS	
Sensor Cover	Laminated Backsheet (EVA - Tedlar)		
Mounting Method	3M [®] Sticker to Back of Panel		
Standard	Class A according to IEC 60751:2022		
Origin	TÜRKİYE		

Technical Drawings

Technical Drawings of 3S-MT-PT1000, 3S-MT-PT1000-I, 3S-MT-PT1000-MB



Note: All dimensions are in mm.